



*in combination with 80° Reflector



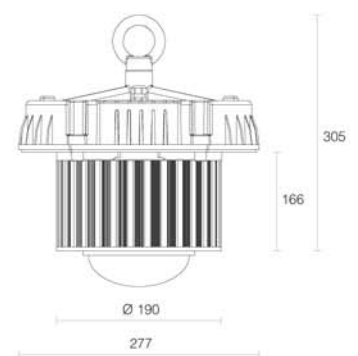
Product Information	CRI	>70 Ra
	CCT	5500 K
	Hot Lumen	14,050 lm
	LED Efficacy	127 lm/W
	System Power	110 W
	LED Module	Philips Lumileds
	Driver	Non-dimmable driver included
	Reflector	80°/ 100°/ 120° not included
	Weight	6.6 Kg



Exclusive Accessory
Frosted PC Light Source Cover D: 50mm
optional: LED Abdeckung gesondert bestellen



Polycarbonate	D:410, H:260	80°
Aluminium	D:390, H:240	80°
Aluminium	D:600, H:260	100°
Aluminium	D:500, H:160	120°



Product Name	CCT	Color	Hot Lumen	CRI	Cooling	System Power	LED efficacy
High Bay Cap Eco 100W without reflector	5500K	Aluminium	14050lm	>70Ra	Passive	110W	127lm/W